

# Deck Mount 17 3/4" Articulated Dual Swivel Spout with Metal Wheel



**Model #: 1013-X-**

## FEATURES:

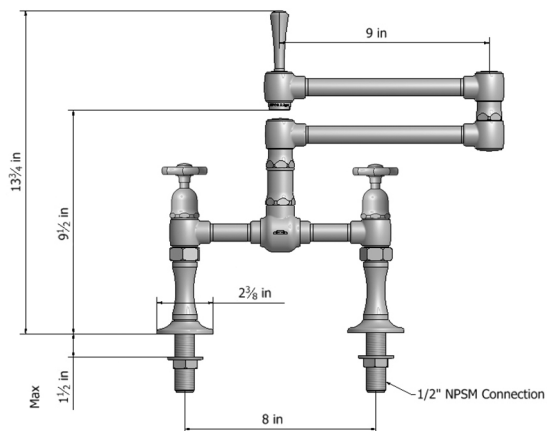
- 17 3/4" Reach double articulated swivel spout
- Perfect for large farm style sinks
- Handle on spout allows for easy movement
- Lifetime quarter turn ceramic cartridge
- Requires standard 1 3/8" -1 5/8" faucet hole drilling



## AVAILABLE FINISHES:

Polished Stainless (PSS)    Brushed Stainless (BSS)

## SPECIFICATION DRAWING:



## AVAILABLE HANDLES:



## COMPLIANCES:

Complies with: ASME A112.18.1-2012/CSA B125.1-12